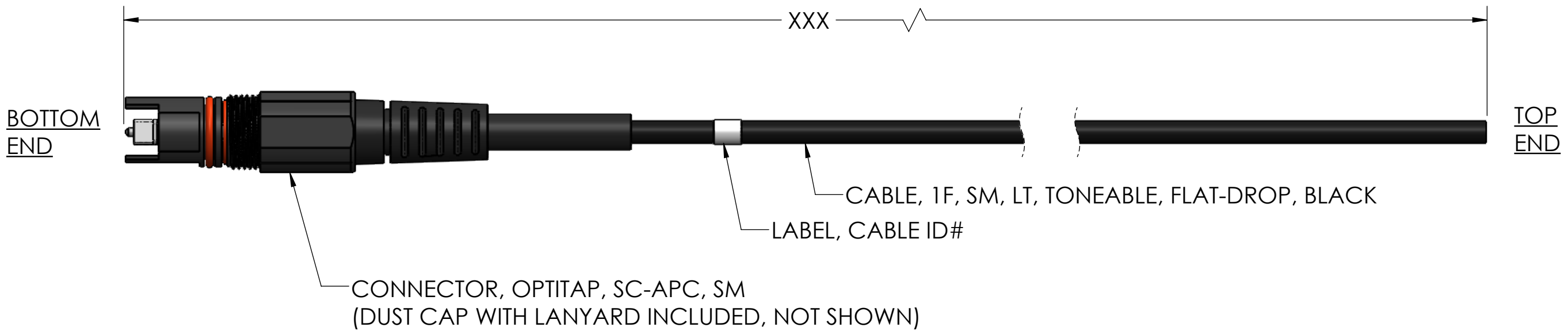



REVISIONS			
REV.	DESCRIPTION	DATE	APPROVED
00	INITIAL RELEASE	03-26-25	



INSERTION LOSS AND RETURN LOSS					TESTING STANDARDS	
CHARACTERISTICS	STANDARD	MULTIMODE		SINGLEMODE		- TIA-445-171 Insertion Loss - TIA-455-107 Return Loss - IEC-61300-3-35 Visual - FOTP-171 Method A or C - RoHS/REACH Compliant
		MTP/MPO	LC,SC,ST,FC	MTP/MPO/OptiTip MT	LC,SC,ST,FC; (-APC & OptiTap)	
Insertion Loss	TIA 568-C.3	.75dB	.75dB	.75dB	.75dB	
Maximum	Netsource, Inc. (STD LOSS)	≤ 0.30 dB	≤ 0.25 dB	≤ 0.35 dB	≤ 0.20 dB	
Typical	Netsource, Inc. (LOWLOSS)	≤ 0.20 dB	≤ 0.15 dB	≤ 0.25 dB	≤ 0.15 dB	
Return Loss	TIA 568-C.3	-20dB	-20dB	-26dB	-26dB	
Minimum	Netsource, Inc.	≤ -25 dB	≤ -25 dB	≤ -65 dB	≤ -58 dB ; (≤ - 65 dB)	

*****NOTICE*****
 THIS DRAWING CONTAINS CONFIDENTIAL AND/OR PROPRIETARY INFORMATION INTENDED FOR THE USE ONLY BY THE INDIVIDUAL(S) SPECIFIED HERE AND ONLY FOR THE PURPOSE(S) PROVIDED AND MUST NOT BE DISCLOSED, COPIED, OR LOANED, IN WHOLE OR IN PART OR USED FOR ANY PURPOSE WITHOUT PRIOR WRITTEN CONSENT FROM NETSOURCE INC.

UNLESS OTHERWISE SPECIFIED:
DIMENSIONS ARE IN INCHES.



NetSource, Inc.
 260 Progress Drive
 Manchester, CT 06042
 Tel (860) 649-6000
 www.netsource-inc.com

TITLE:

DRAWN BY: TA DATE: 03-26-25 SIZE: CUSTOM PART NUMBER: HE01SMD357-XXX REV:

INITIATED BY: SUS DATE: 03-26-25 SCALE: CUSTOM SHEET: 1 OF 2